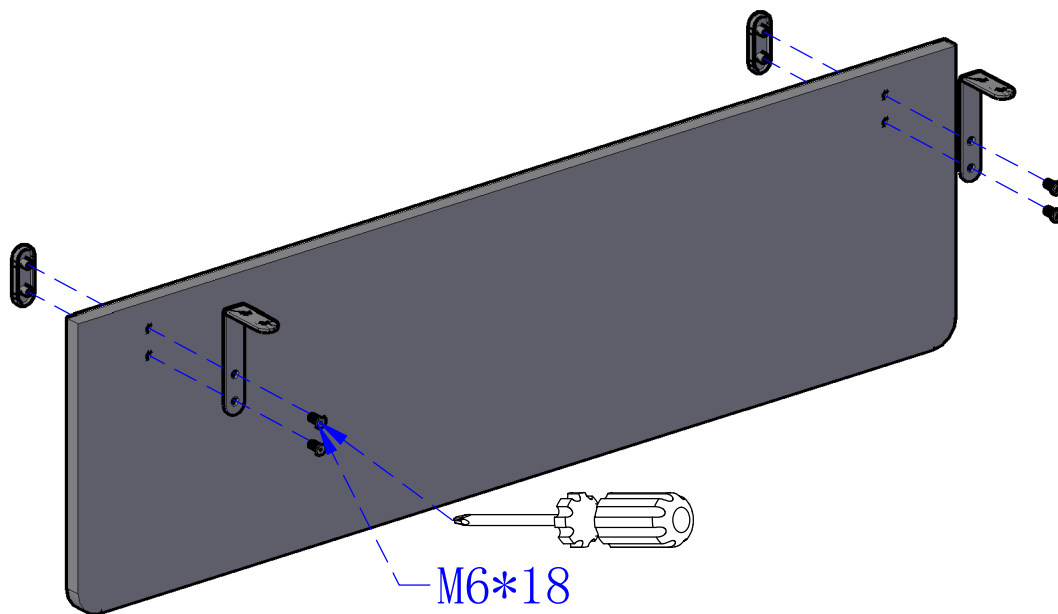



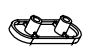


STEP 1



NO.	PICTURE	SIZE/QTY
A		4:M6*18
B		4:ST4*20
C		2:PJ-15
D		2:PJ-16

STEP 2

