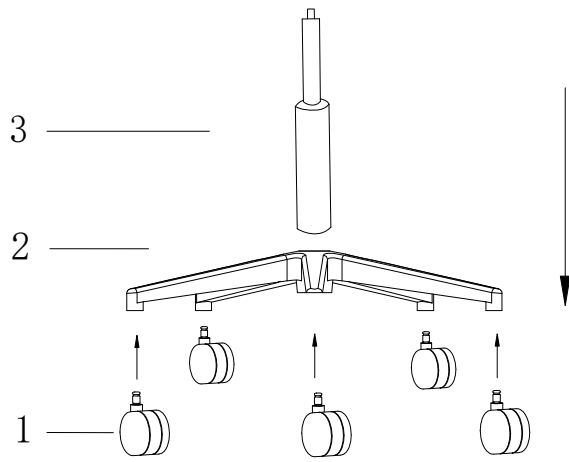
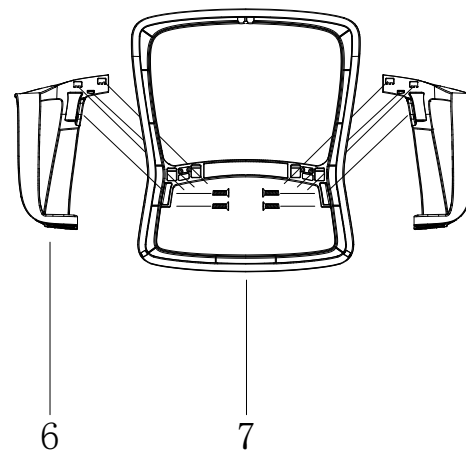


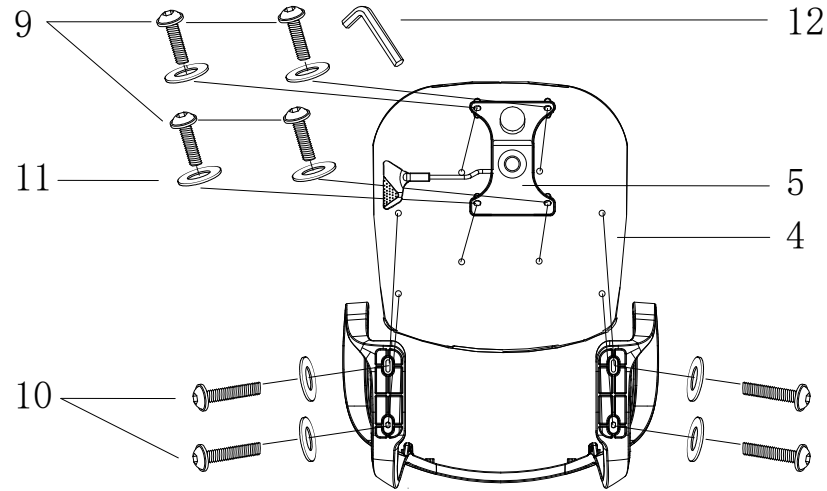
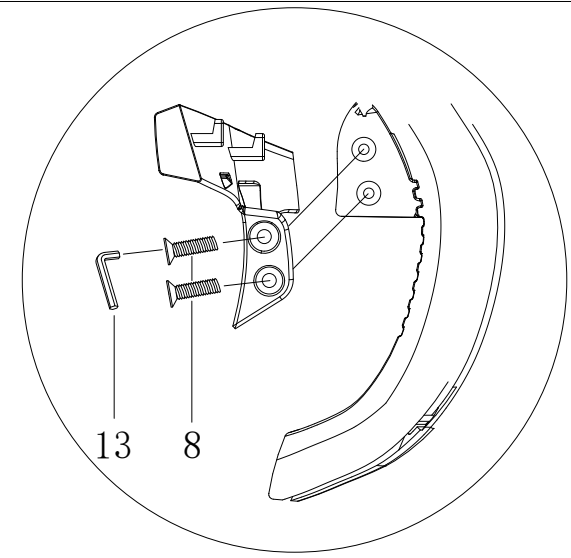
LOOK



STEP 1 Install gas lift and castor



STEP 2 Install the Frame



STEP 2 Install Armrest and Mechanism



NO.	1	2	3	4	5	6	7	8	9	10	11	12	13	14
SKETCH														
SIZE								M6*16	M6*20	M6*30	φ 6*16	5MM	4MM	
QTY	4pcs	1set	1pcs	1pcs	1pcs	1set	1pcs	4pcs	4pcs	4pcs	8pcs	1pcs	1pcs	