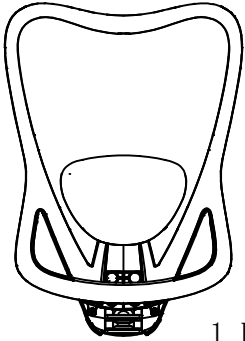
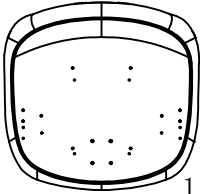
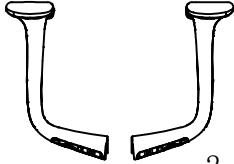





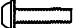
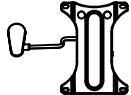
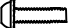
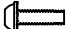



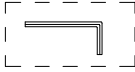
 <p>A 1 PCS</p>	 <p>J 1 PCS</p>
 <p>B 1 PCS</p>	 <p>K 2 PCS</p>
 <p>C 1 PCS</p>	 <p>L M6*10*2 4 PCS</p>
 <p>D 5 PCS</p>	 <p>M M6*16*2 10 PCS</p>
 <p>E 1 PCS</p>	 <p>N M6*35 6 PCS</p>
 <p>F 1 PCS</p>	 <p>O M6X25 4 PCS</p>
 <p>G M6X14 1 PCS</p>	 <p>P M8*13*2.0 3 PCS</p>
 <p>H M8X20 3 PCS</p>	 <p>Q M8*20*2.0 3 PCS</p>
 <p>I 5mm 1 PCS</p>	

